

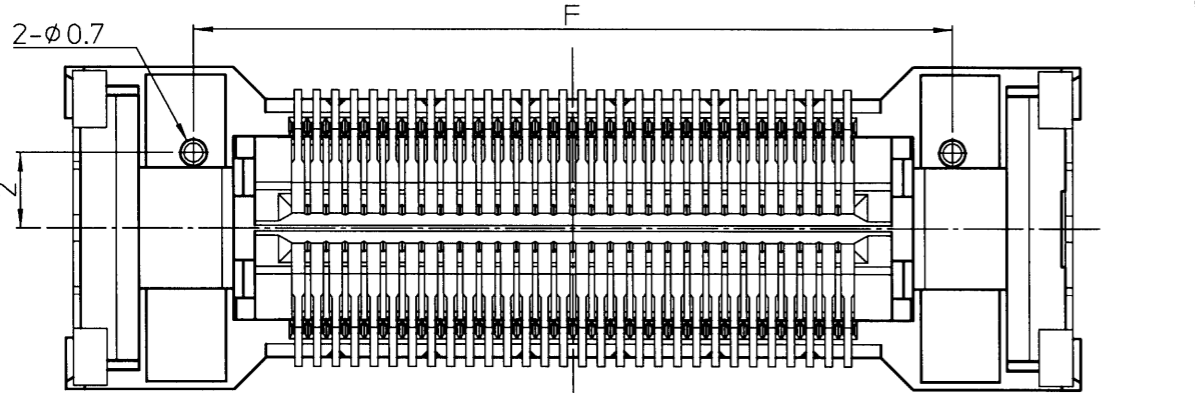
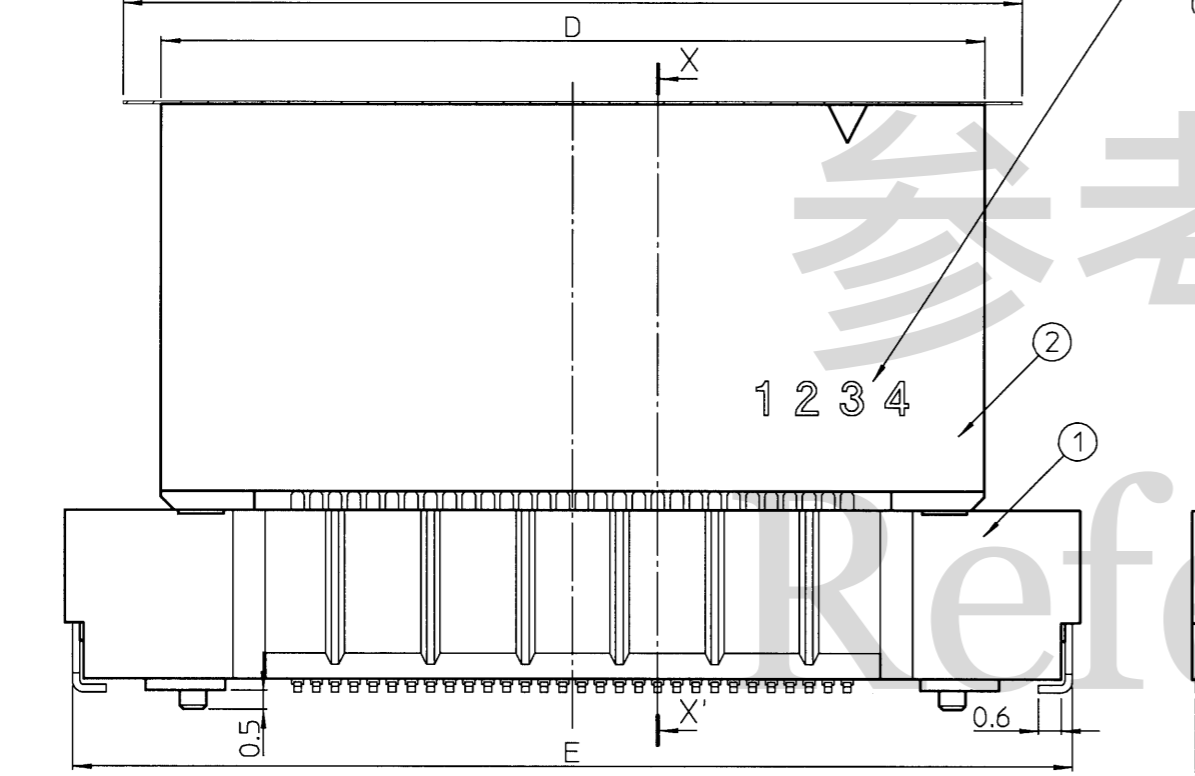
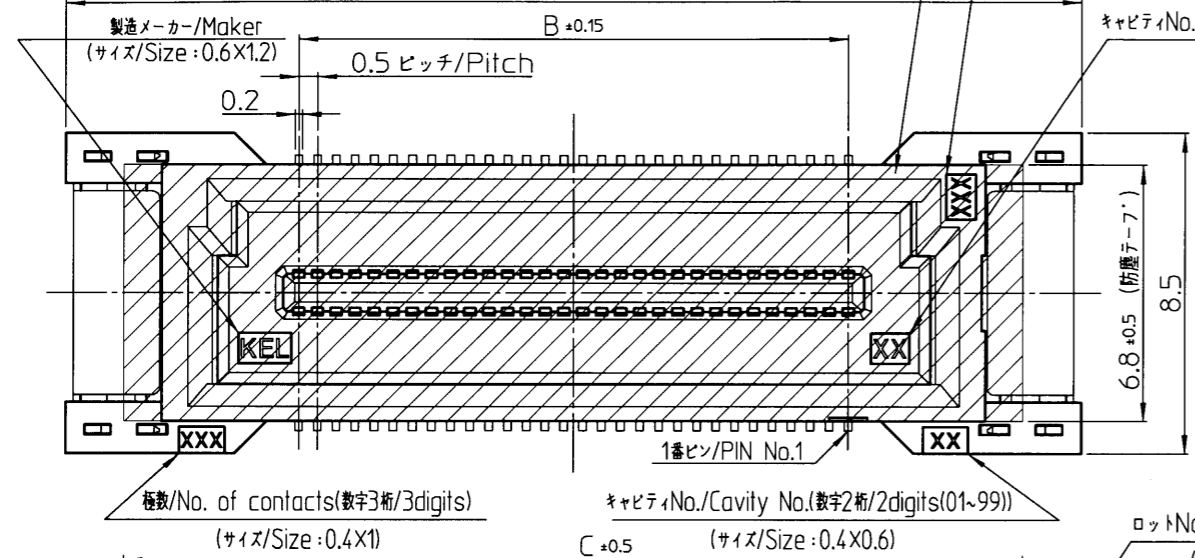
P3E104

ON

(斜線部/Shaded area) ⑤

極数/No. of contacts (数字3桁/3digits)  
(サイズ/Size: 0.6x1.2)

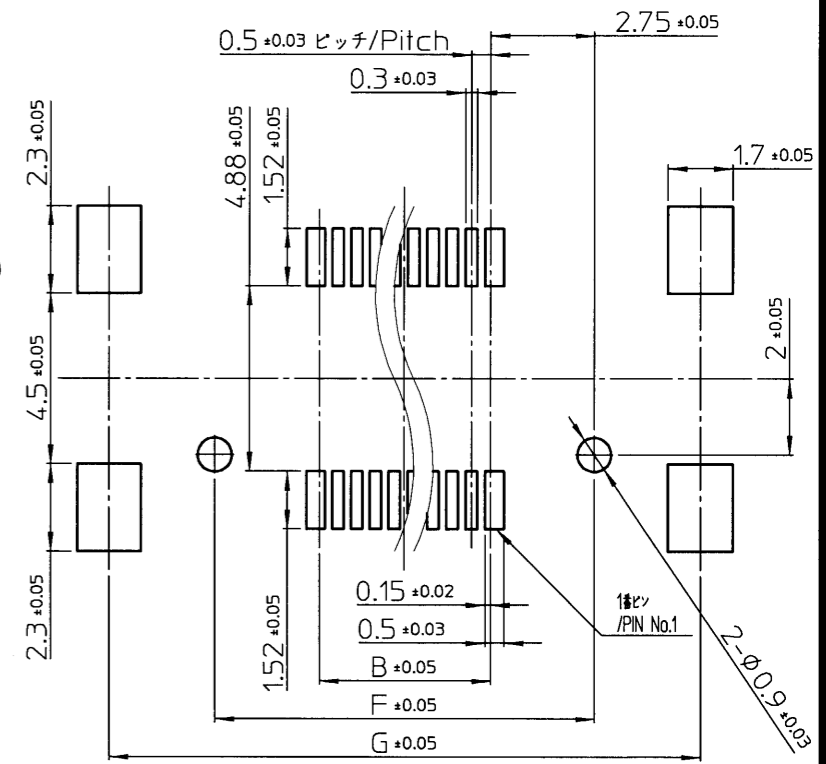
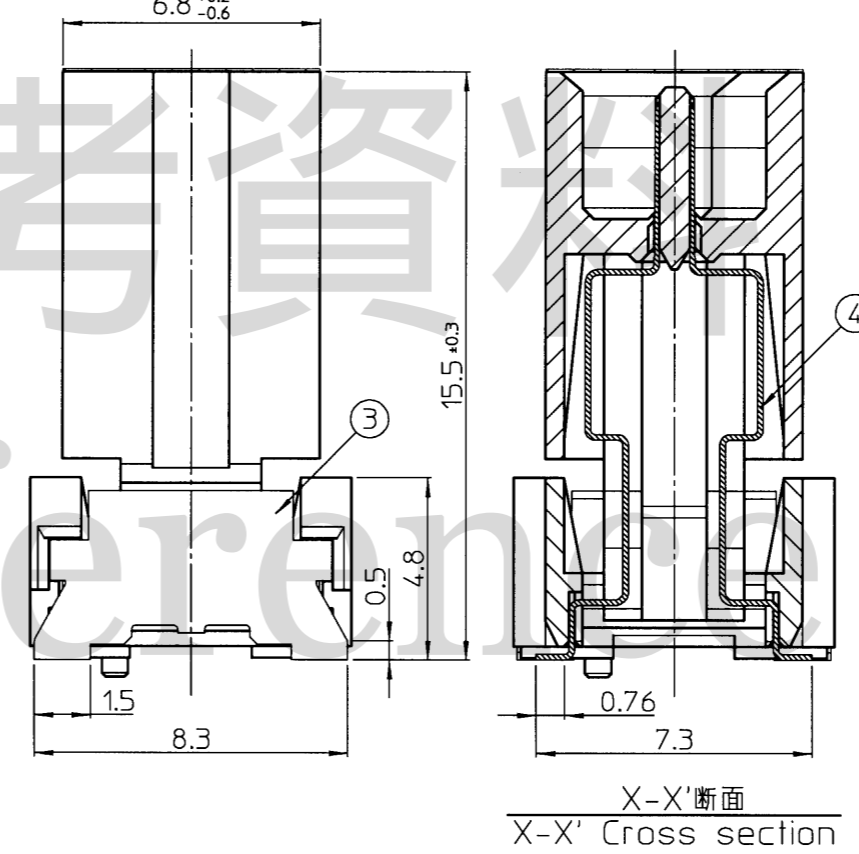
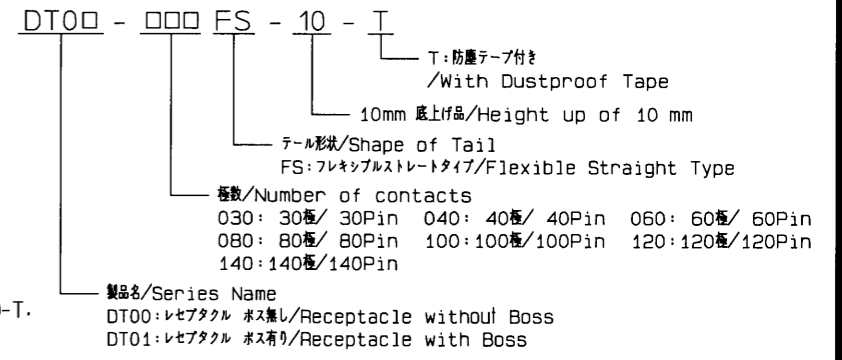
キャビティNo./Cavity No. (数字2桁/2digits (01~99))  
(サイズ/Size: 0.6x0.8)



| 極数/No. | A    | B    | C    | D    | E    | F    | G    |
|--------|------|------|------|------|------|------|------|
| 30     | 19.3 | 7    | 16.2 | 14.2 | 18.9 | 12.5 | 18.1 |
| 40     | 21.8 | 9.5  | 18.7 | 16.7 | 21.4 | 15   | 20.6 |
| 60     | 26.8 | 14.5 | 23.7 | 21.7 | 26.4 | 20   | 25.6 |
| 80     | 31.8 | 19.5 | 28.7 | 26.7 | 31.4 | 25   | 30.6 |
| 100    | 36.8 | 24.5 | 33.7 | 31.7 | 36.4 | 30   | 35.6 |
| 120    | 41.8 | 29.5 | 38.7 | 36.7 | 41.4 | 35   | 40.6 |
| 140    | 46.8 | 34.5 | 43.7 | 41.7 | 46.4 | 40   | 45.6 |

NOTES

- 指定無き寸法公差 / Unless otherwise specified, tolerances shall be:  
 0~10未満/Less than 10:  $\pm 0.2$   
 10~50  $\pm 0.25$
- コプラナリティ/Coplanarity / Variation of tail in contact and Retention clip from a reference plane: 0.1mmMAX.
- 本図は DT01-060FS-10-T で記載したものである。 / This drawing is based on DT01-060FS-10-T.



参考基板設計要領 (コネクタ搭載面)  
A reference drawing of P.W.B (Connector mounting side)

| No. | 部品名 / Part name        | 数量 / Quantity | 材料 / Material  | 仕上げ / Finish   |
|-----|------------------------|---------------|--|--|
| ⑤   | 防塵テープ / Dustproof tape | 1             | ポリイミド t=0.08 茶褐色 / Polyimide t=0.08 Brown                  |  |
| ④   | 固定金具 / Retention clip  | 1             | 銅合金 / Copper alloy   | ニッケルめっき下地, 金めっき厚 テール部0.03μm以上 / Under plating Nickel, Gold tail area (Au0.03μm or more)  |
| ③   | コンタクト / Contact        | 極数            | 銅合金 / Copper alloy   | ニッケルめっき下地, 金めっき厚 接触部0.1μm以上, テール部0.03μm以上 / Under plating Nickel, Gold contact area (Au0.1μm or more) tail area (Au0.03μm or more) |
| ②   | インシュレータB / Insulator B | 1             | LCP(ガラス繊維入り) UL94V-0 黒色 / Glass-filled LCP, UL94V-0, Black |  |
| ①   | インシュレータA / Insulator A | 1             | LCP(ガラス繊維入り) UL94V-0 黒色 / Glass-filled LCP, UL94V-0, Black |  |

| REV. | DATE | DRAWN BY     | CHECKED BY | APPROVED BY | DESCRIPTION |
|------|------|--------------|------------|-------------|-------------|
|      |      | M. Kobayashi | K. Tani    | M. Kojima   |             |

|                        |              |                 |            |              |                 |             |       |      |
|------------------------|--------------|-----------------|------------|--------------|-----------------|-------------|-------|------|
| THIRD ANGLE PROJECTION | DRAWN BY     | DATE            | CHECKED BY | DATE         | APPROVED BY     | DATE        | SCALE | UNIT |
|                        | M. Kobayashi | Apr. 30, 2020   | K. Tani    | May. 1, 2020 | M. Kojima       | May 1, 2020 | 5:1   | mm   |
| MATERIAL               |              | TITLE           |            |              | DRAWING No.     |             |       |      |
|                        |              | DT00-□□□FS-10-T |            |              | KEL CORPORATION |             |       |      |
| FINISH                 |              |                 |            |              | REVISION        |             |       |      |
|                        |              |                 |            |              | P3E104 1        |             |       |      |