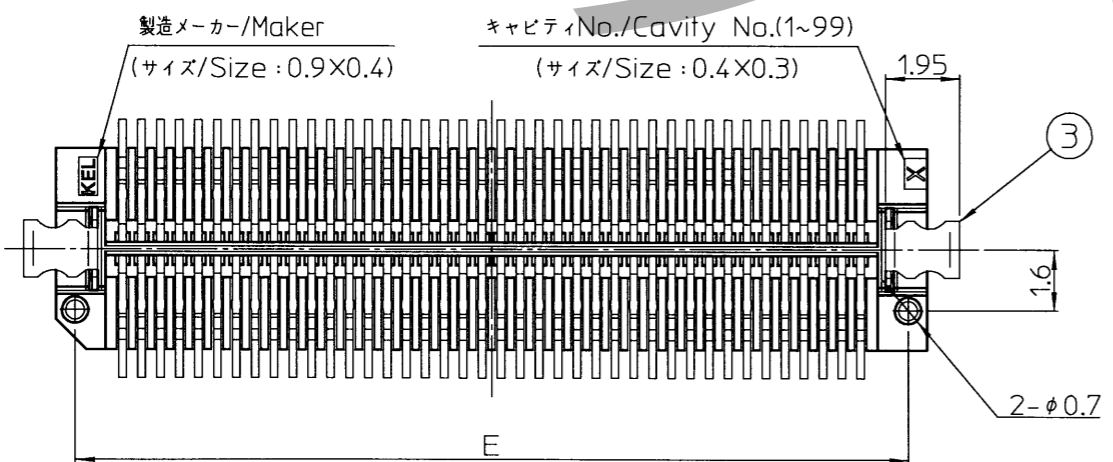
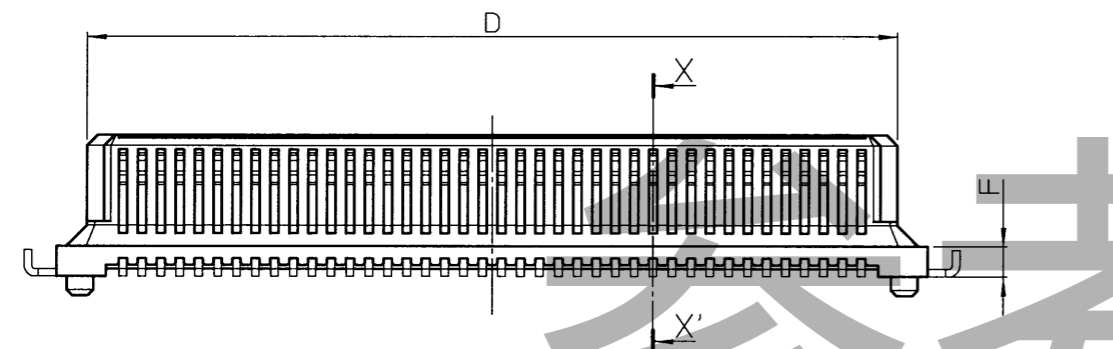
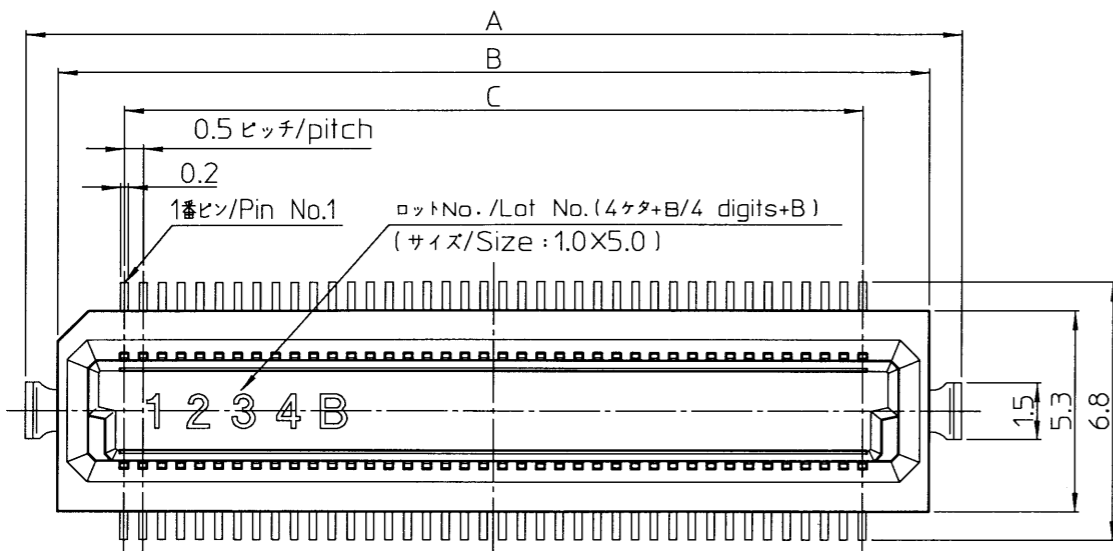


P3D187

ON



NOTES

1. 指定無き寸法公差/Unless otherwise specified, tolerances shall be.
0~10未満/Less than 10 ±0.2
10~50 ±0.25
2. コプラナリティ/Coplanarity
コンタクト及び固定金具のテール部のバラツキ:0.1以下
/Variation of tail in contact and retention clip:0.1MAX.
3. 本図は DY11-080SB-1 で記載したものである。
/This drawing is based on DY11-080SB-1.

DY10-□□□ S B-□-□

| | | | |
|---------------------------------|------------------------|------------|----------|
| リール梱包数/Number of reel packaging | スタック高さ/Stacking height | 無し/Without | A |
| | 1 | 1,000 pcs. | 500 pcs. |
| | 2・3 | 500 pcs. | |

スタック高さ/Stacking height
1:5mm 2:6mm 3:7mm
B:接触部0.1μm以上/Contact area 0.1μm or more
テール部0.03μm以上/Tail area 0.03μm or more

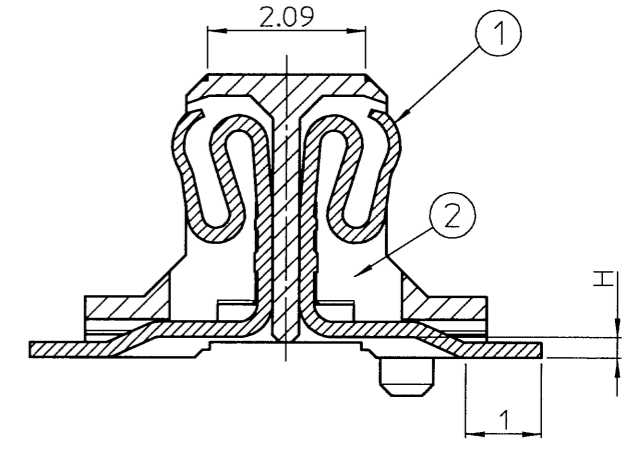
テール形状/Shape of Tail
S:ストレートタイプ/Straight Type

極数/Number of contacts
060: 60極/60pin 080: 80極/80pin 100:100極/100pin
120:120極/120pin 140:140極/140pin

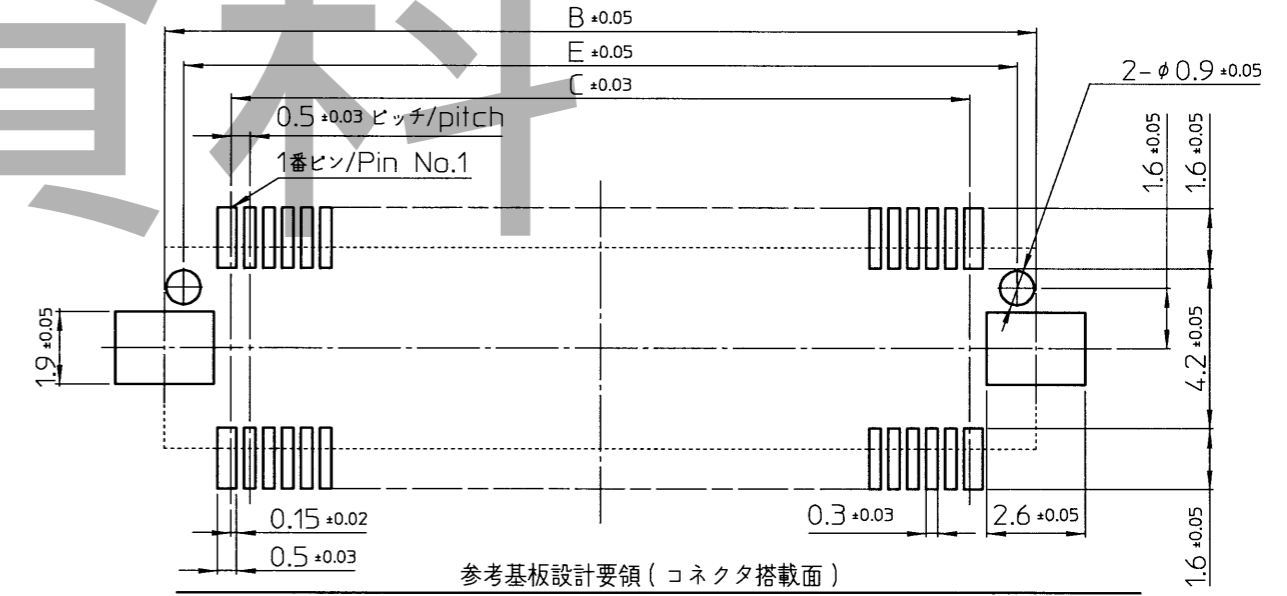
シリーズ名/Series name
DY10:プラグ ボス無し/Plug without Boss
DY11:プラグ ボス有り/Plug with Boss

| 極数/No. | A | B | C | D | E |
|--------|------|------|------|------|------|
| 060 | 19.7 | 18.0 | 14.5 | 16.4 | 17.0 |
| 080 | 24.7 | 23.0 | 19.5 | 21.4 | 22.0 |
| 100 | 29.7 | 28.0 | 24.5 | 26.4 | 27.0 |
| 120 | 34.7 | 33.0 | 29.5 | 31.4 | 32.0 |
| 140 | 39.7 | 38.0 | 34.5 | 36.4 | 37.0 |

| 品種/Part No. | F | G | H |
|-------------|-----|------|------|
| -1 | 0.8 | 3.73 | 0.27 |
| -2 | 1.8 | 4.73 | 1.27 |
| -3 | 2.8 | 5.73 | 2.27 |



X-X' Cross-section(10:1)



参考基板設計要領 (コネクタ搭載面)
A reference drawing of P.W.B(Connector mounting side)

| | | | | |
|-----|-------------------------|-----------------------|--|--|
| ③ | 固定金具 /Retention clip | 2 | 銅合金/Copper alloy | ニッケルメッキ下地, Au0.03μm以上 /Under plating Nickel, Au0.03μm or more |
| ② | インシュレータ /Insulator | 1 | LCP(UL94V-0)黒 ガラス繊維入り /Glass-filled L.C.P.(UL94V-0),Black | |
| ① | コンタクト /Contact | 極数 /No.of contacts | 銅合金/Copper alloy | ニッケルメッキ下地, Au0.1μm以上(接触部), Au0.03μm以上(テール部) /Under plating Nickel, Au0.1μm or more(contact area), Au0.03μm or more(tail area) |
| No. | 品名 /Part name | 数量 /Quantity | 材質/Material | 仕上げ/Finish |

| | | | | | |
|------------------------|-------------------------|---------------------|-------------------------|-------------------------|-------------------------|
| △ x | | | | | |
| △ x | | | | | |
| △ x | | | | | |
| Oct.10,2018 | A.Danget | M.Kobayashi | J.Tanaka | 品種追加/Added part number. | |
| REV. DATE | APPROVED BY | CHECKED BY | DRAWN BY | DESCRIPTION | |
| THIRD ANGLE PROJECTION | DRAWN BY M.Kobayashi | DATE Jul.17,2015 | CHECKED BY M.Koizumi | DATE Jul.17,2015 | APPROVED BY A.Kasuga |
| MATERIAL | | TITLE | | KEL CORPORATION | |
| FINISH | | DY10-□□□SB-1/2/3-□ | | DRAWING No. | P3D187 |
| | | | | | REVISION 3 |