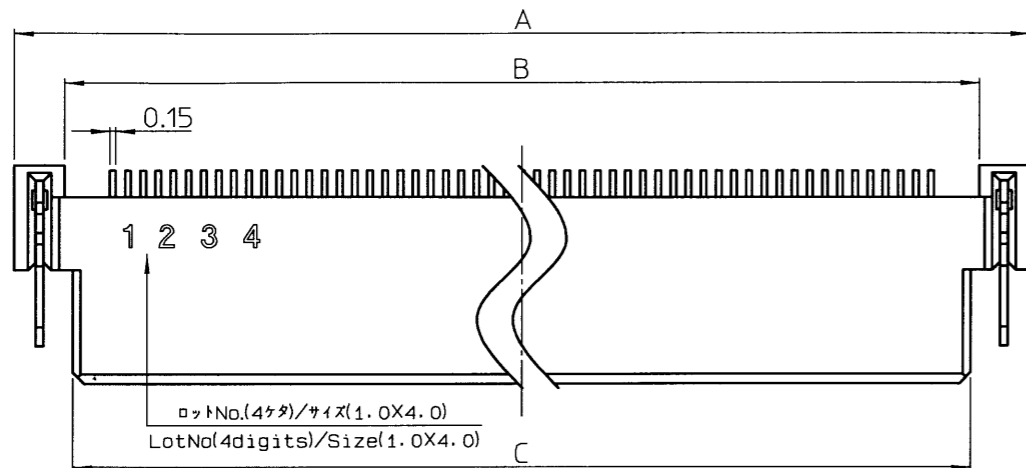


P3C941

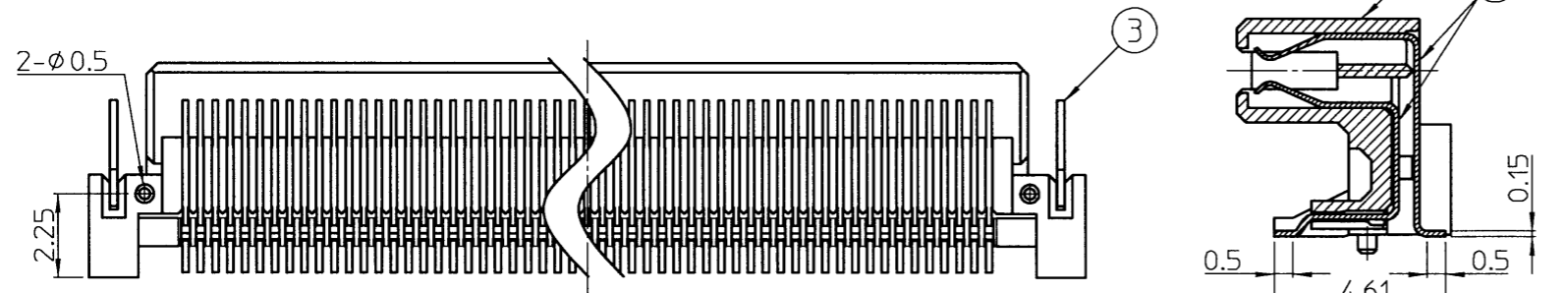
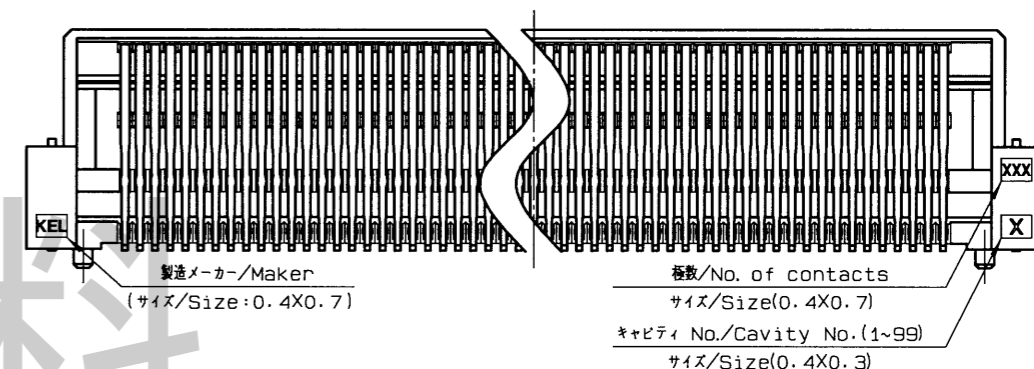
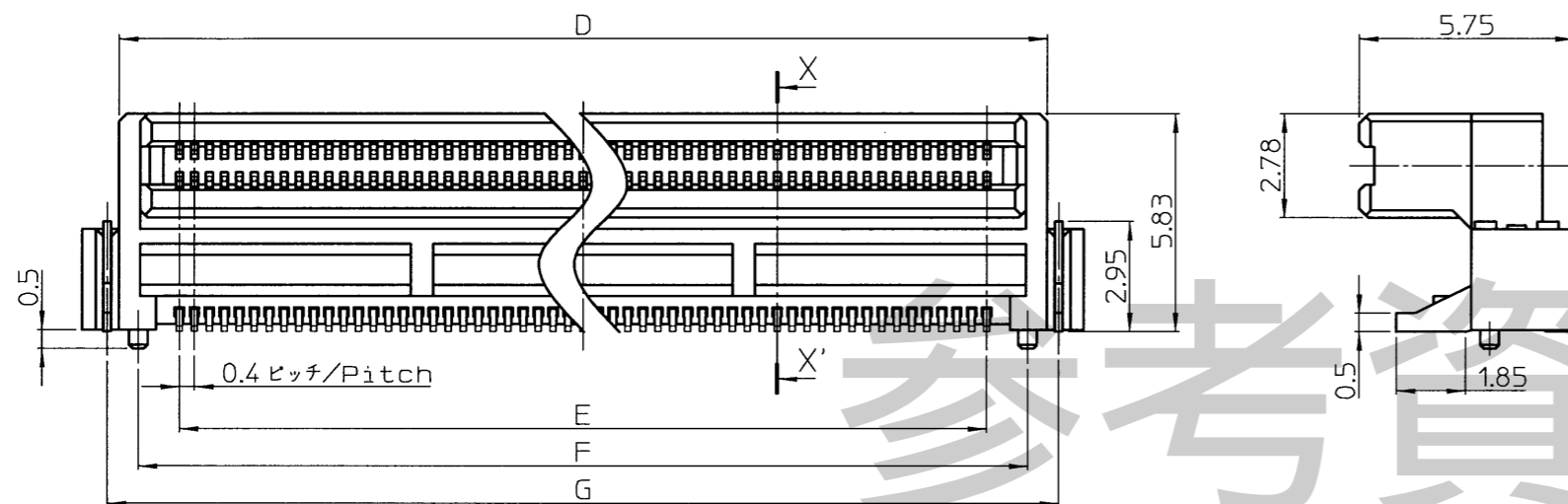
・ON

| 極数/No. | A | B | C | D | E | F | G |
|--------|------|-------|------|-------|------|------|-------|
| 140 | 32.8 | 30.15 | 29.7 | 30.84 | 27.6 | 29.8 | 31.46 |
| 200 | 44.8 | 42.15 | 41.7 | 42.84 | 39.6 | 41.8 | 43.46 |



NOTES.
1.指定無き寸法公差/Unless otherwise specified, tolerances shall be.
0~10未満/Less than 10 ± 0.2
10~50/10~50 ± 0.25
2.コプラナリティ/Coplanarity
コンタクト及び固定金具のテール部のバラツキ:0.1以下
/Variation of tail in contact and Retention clip:0.1MAX.

DU1□-□□□ L B
 接触部金メッキ厚/Gold plating thickness
 B:0.1 μ m以上/0.1 μ m or more
 テール形状/Shape of Tail
 L:ライトアングルタイプ/Right angle Type
 極数/Number of contacts
 140:140極/140pin 200:200極/200pin
 シリーズ名/Series name
 DU10:プラグボス無し/Plug without Boss
 DU11:プラグボス有り/Plug with Boss



X-X' 断面
X-X' Cross-section

参考基板設計要領 (コネクタ搭載面)
A reference drawing of P.W.B(Connector mounting side)

| No. | 品名 /Part name | 数量 /Quantity | 材質/Material | 仕上げ/Finish |
|-----|----------------------|--------------|---|--|
| ③ | 固定金具 /Retention clip | 2 | 銅合金/Copper alloy | ニッケルメッキ下地 錫メッキ仕上げ(2~4 μ m) /Under plating Nickel, Tin finish(2~4 μ m) |
| ② | インシュレータ /Insulator | 1 | LCP(UL94V-0)黒 ガラス繊維入り Glass-filled L.C.P.(UL94V-0),Black | |
| ① | コンタクト /Contact | 極数 | 銅合金/Copper alloy | ニッケルメッキ下地 金メッキ仕上げ(接触部0.1 μ m以上 テール部0.03 μ m以上) /Under plating Nickel, Au0.1 μ m or more(contact area), Au0.03 μ m or more(tail area) |

| | | | | | |
|------------------------|----------------|-------------|--------------------|-------------------------|-------------|
| △ x | | | | | |
| △ x | | | | | |
| △ x | | | | | |
| REV. DATE | APPROVED BY | CHECKED BY | DRAWN BY | DESCRIPTION | |
| Dec.21,2017 | A.Kasuga | M.Kobayashi | J.Tanaka | 品種追加/Added part number. | |
| THIRD ANGLE PROJECTION | DRAWN BY | DATE | CHECKED BY | DATE | APPROVED BY |
| | J.Tanaka | Apr.10,2014 | A.Kasuga | Apr.10,2014 | M.Suzuki |
| MATERIAL | TITLE | | KEL CORPORATION | | |
| FINISH | DU1□-140/200LB | | DRAWING No. P3C941 | | |
| | | | | REVISION 2 | |