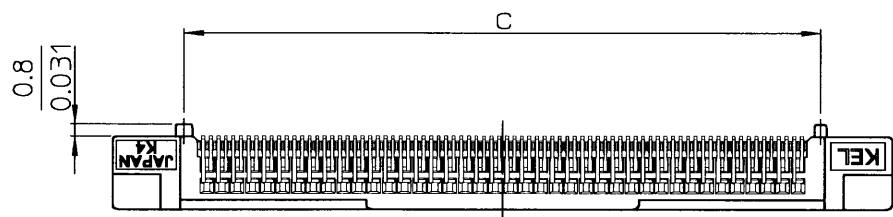
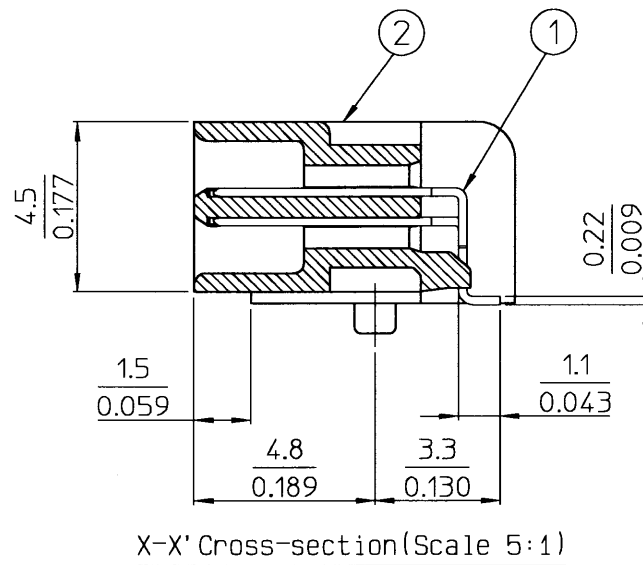
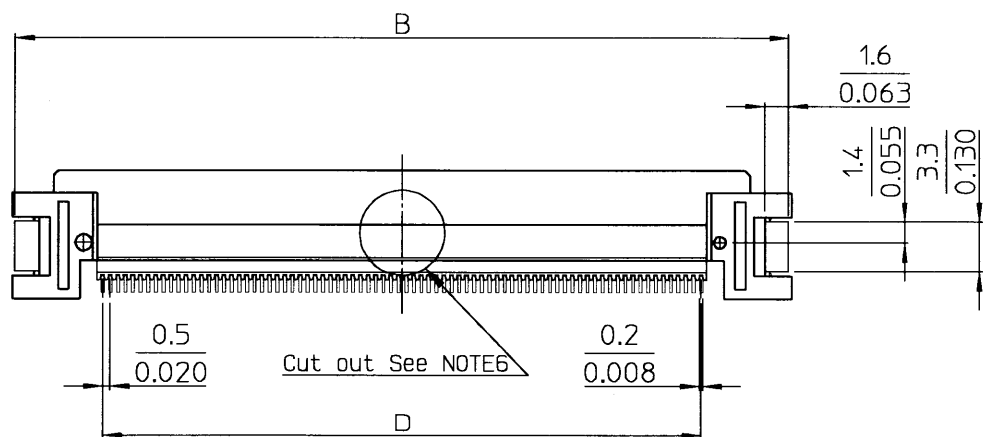
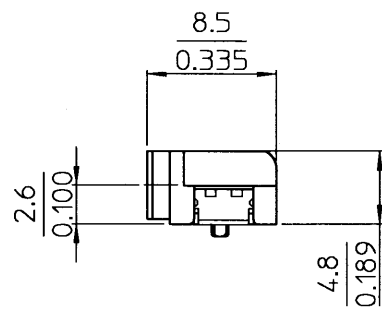
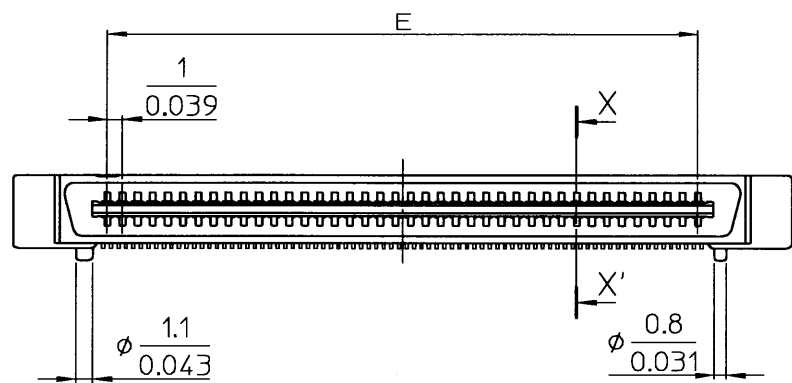


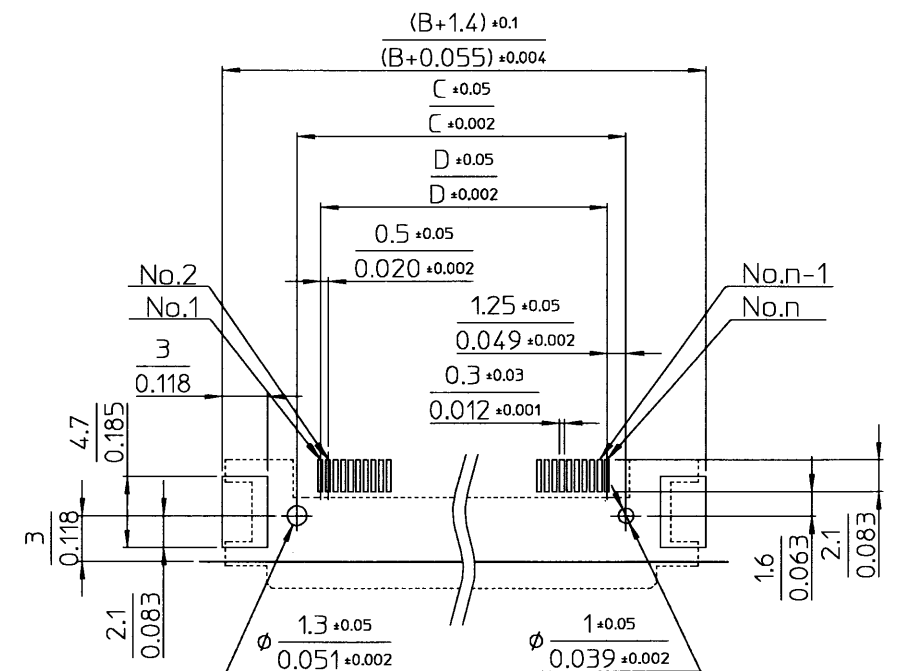
The Lot No. and The Brand shall be engraved in the following area:
 30, 50 contacts : area 1, 2, 5, 6
 80, 100 and 120 contacts : area 1, 2, 3, 4



F	E	D	C	B	A	NO. of contacts
10.0 (0.394)	14.0 (0.551)	14.5 (0.574)	17.0 (0.669)	26.1 (1.028)	26.5 (1.043)	30
15.0 (0.591)	24.0 (0.945)	24.5 (0.965)	27.0 (1.063)	36.1 (1.421)	36.5 (1.437)	50
18.0 (0.709)	39.0 (1.535)	39.5 (1.555)	42.0 (1.654)	51.1 (2.012)	51.5 (2.028)	80
18.0 (0.709)	49.0 (1.929)	49.5 (1.949)	52.0 (2.047)	61.1 (2.406)	61.5 (2.421)	100
20.0 (0.787)	59.0 (2.323)	59.5 (2.343)	62.0 (2.441)	71.1 (2.799)	71.5 (2.815)	120

Notes

- Dimensions are in millimeter.
- Inch equivalents are in parentheses or below the metric dimension.
- Unless otherwise specified, tolerance shall be:
 Less than 10 ±0.2 (Less than 0.394 ±0.0079)
 10 ~ 50 ±0.25 (0.394 ~ 1.969 ±0.0098)
 50 or more ±0.3 (1.969 or more ±0.0118)
- Contacts Finish.
 Under plating Nickel
 Contact area Au 0.05µm or more
 Tails Au 0.03µm or more
- SMT Retention Clip Finish.
 Under plating Nickel
 Gold plating 0.03µm or more
- The product represented here is 80 contacts' version.
- The shape of the relief cut out at the bottom shall vary in accordance with the number of the contacts.
- A reference drawing of P.W.B.



△ x					
△ x					
△ x					
△ x					
REV. DATE	APPROVED BY	DRAWN BY	DESCRIPTION		
THIRD ANGLE PROJECTION	DRAWN BY H. Goto	DATE Apr. 7, 2005	CHECKED BY S. Kitamura	DATE Apr. 12, 2005	APPROVED BY A. Shimada
MATERIAL		TITLE		SCALE	
		87BMN-XXXR-3F		2:1	
KEL CORPORATION			DRAWING No. P39741		
			REVISION 1		

No.	Component	Quantity	Material	Finish
3	SMT Retention clip	2	Copper alloy	SEE NOTE4
2	Insulator	1	LCP Glass-filled, UL94V-0, Off-white	
1	Contact	No. of contact	Copper alloy	SEE NOTE4