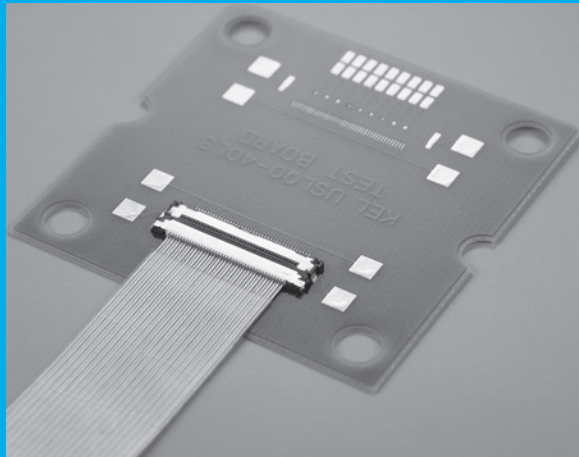


USL SERIES

0.4mm PITCH CONNECTOR FOR MICRO COAXIAL CABLE

RoHS
Compliant



FEATURES

- ▶ Compact connector with a low profile of 1.0 mm(0.039") and a mating width of 5.6 mm(0.220").
- ▶ For micro coaxial cable(#42 AWG).
- ▶ IDC of contacts all together is adopted for improved connection reliability and more compact connectors.
- ▶ Equipped with a metal shell, noise reduction and product strength are ensured.
- ▶ Multiple ground terminals are provided for enhanced transmission characteristics and EMS protection.
- ▶ Highly reliable design with effective mating length of 0.5mm(0.020).

*Specially designed withdrawal jig is available.

ORDER CODE

USL00- **L**-

① ② ③ ④

*Please order in multiples of the quantity per package.

- ① **[Type]** USL00 : Receptacle (PCB side connector)
- ② **[Number of contacts]** 20 : 20 pin 30 : 30 pin 40 : 40 pin
- ③ **[Contact tail style]** L : Right angle
- ④ **[Number of packaging]** A : 500pcs. per reel B : 1,000pcs. per reel C : 3,000pcs. per reel

ORDER CODE

USL20- **S**

① ② ③

*Please order in multiples of the quantity per package.

- ① **[Type]** USL20 : Plug (Cable side connector)
- ② **[Number of contacts]** 20 : 20 pin 30 : 30 pin 40 : 40 pin
- ③ **[Cable exit style]** S : Straight

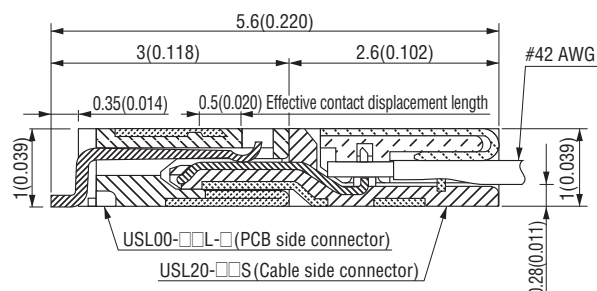
*Plug (cable side connector) is composed of base and cover.

SPECIFICATIONS

Material and plating		Electrical Characteristics	
Insulator material	Glass-filled LCP(UL94V-0),Black	Current rating	0.25A per contact
Contact material	Copper alloy	Contact resistance	100mΩ max.
Contact plating	Gold over Nickel	Dielectric withstanding voltage	200V AC for 1minute
Shell material	Copper alloy	Insutulation resistance	100MΩ min.at 250V DC
Shell plating	Tin copper over Nickel	Operating temperature	-40°C to +85°C
IDC cover material	[USL20] Glass-filled LCP(UL94V-0),White	Recommended cable	#42 AWG Micro coaxial cables

Mating Drawing

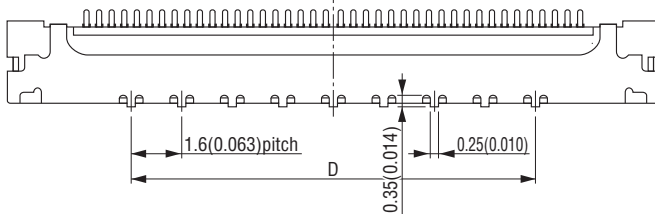
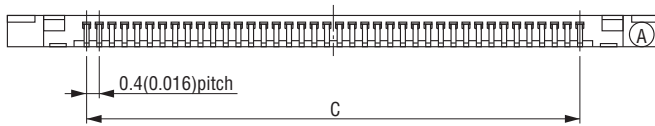
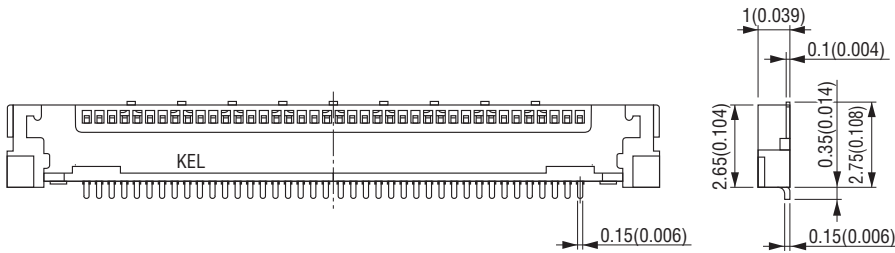
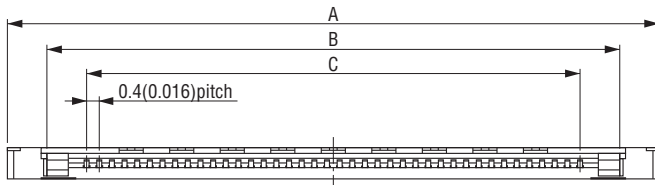
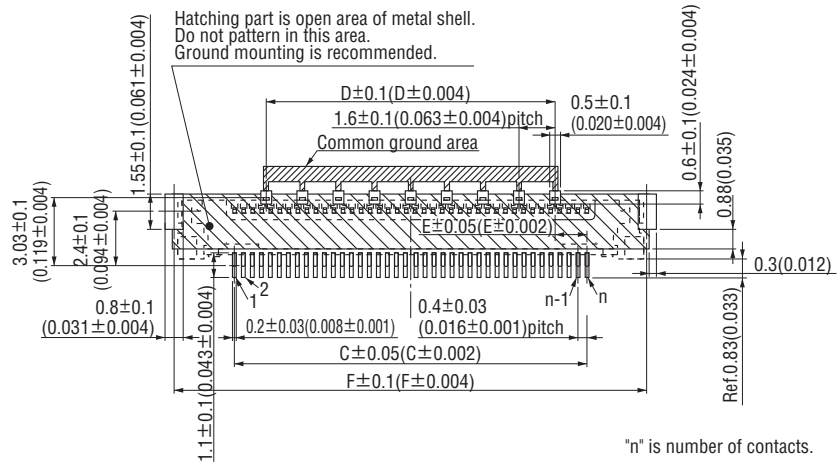
Unit : mm(inch)



USL00-□□L-□ (Receptacle, PCB side connector)

Unit : mm(inch)

Printed Circuit Board Layout (Component Side View)



Ground Installation

No. of contacts	No. of ground
20	7
3	9
40	11

Packaging style

Embossed tape

Product Table

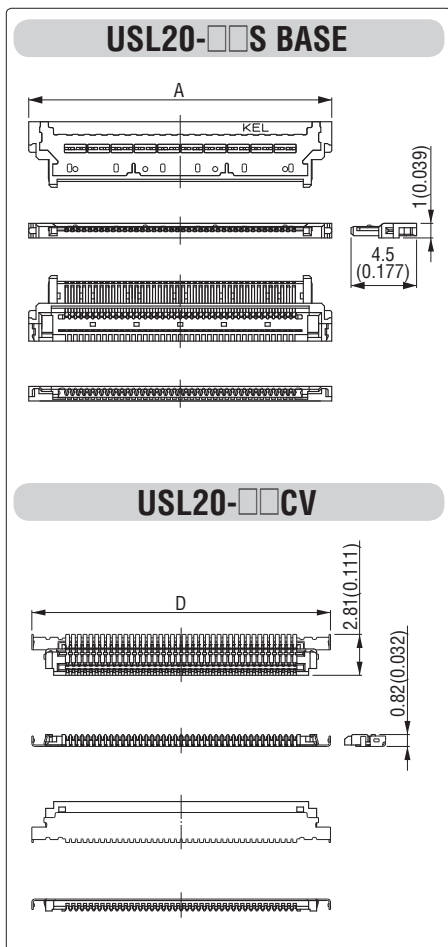
Part number	Number of packaging
USL00-□□L-A	500
USL00-□□L-B	1,000
USL00-□□L-C	3,000

Product Table / Dimensions

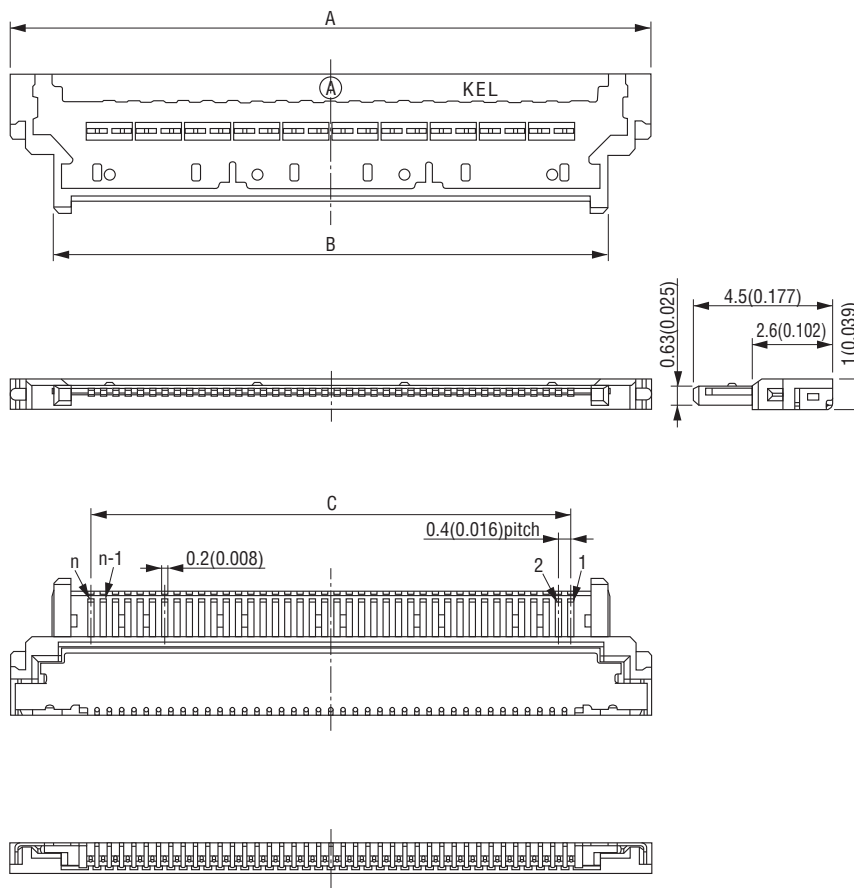
No. of contacts	Part Number	A	B	C	D	E	F
20	USL00-20L-□	12.6 (0.496)	10.1 (0.398)	7.6 (0.299)	6.4 (0.252)	0.6 (0.024)	12.8 (0.504)
30	USL00-30L-□	16.6 (0.654)	14.1 (0.555)	11.6 (0.457)	9.6 (0.378)	1.0 (0.039)	16.8 (0.661)
40	USL00-40L-□	20.6 (0.811)	18.1 (0.713)	15.6 (0.614)	12.8 (0.504)	1.4 (0.055)	20.8 (0.819)

USL20-□□S (Plug, Cable side connector)

Unit : mm(inch)



*USL20-□□SBASE and USL20-□□CV are component parts of USL20-□□S.



"n" is number of contacts.

Packaging style

Other

▶ Product Table / Dimensions

No. of contacts	Part Number	A	B	C	D	Number of packaging
20	USL20-20S	12.8 (0.504)	10.1 (0.398)	7.6 (0.299)	12.5 (0.492)	2,000
30	USL20-30S	16.8 (0.661)	14.1 (0.555)	11.6 (0.457)	16.5 (0.650)	2,000
40	USL20-40S	20.8 (0.819)	18.1 (0.713)	15.6 (0.614)	20.5 (0.807)	2,000

